

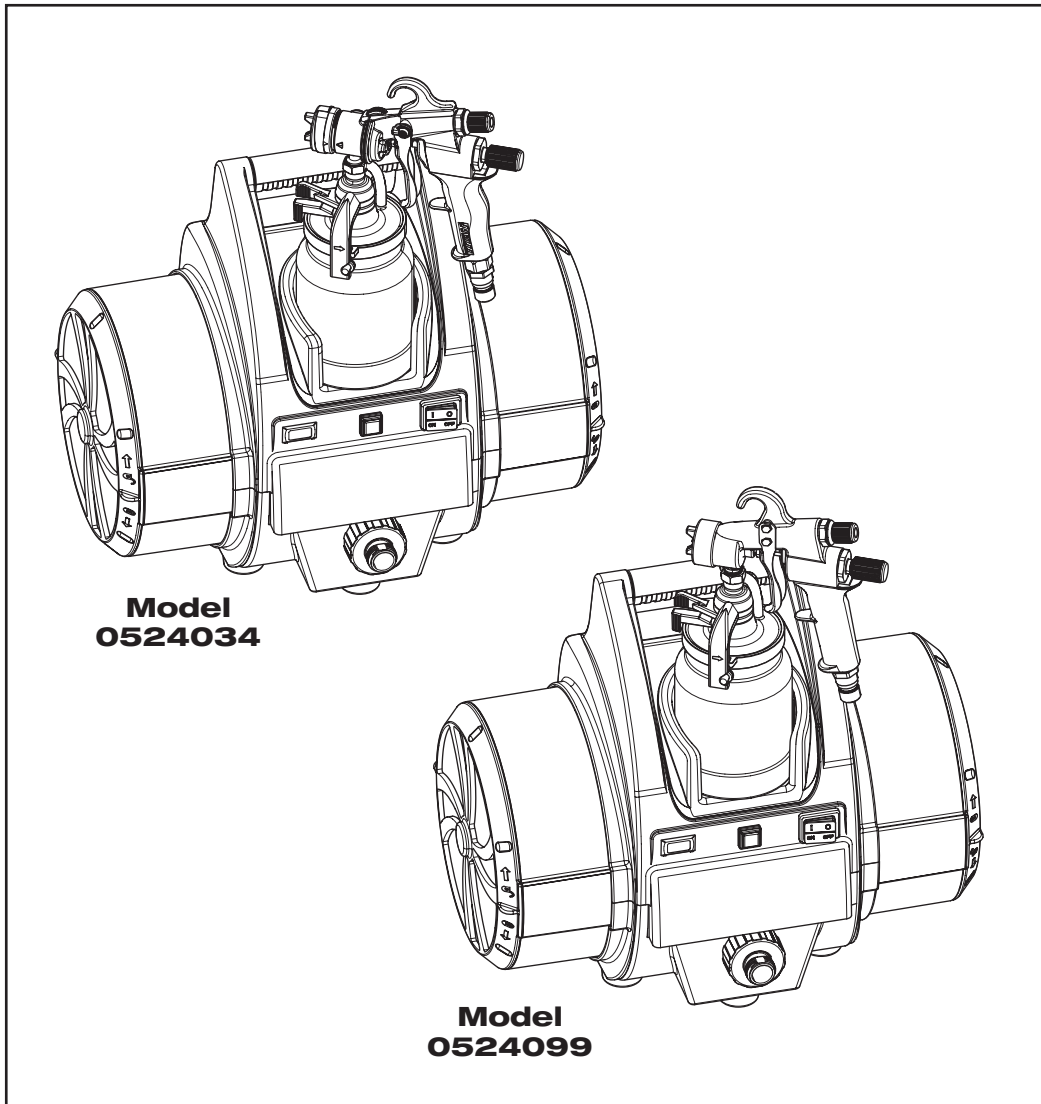


# TITAN<sup>®</sup>

**Owner's Manual**  
**Notice d'utilisation**  
**Manual del Proprietario**  
Do not use this equipment before  
reading this manual!

# CAPSPRAY 115

## HVLP Spray System



Register your product online at:  
[www.titantool.com](http://www.titantool.com)

**NOTE:** This manual contains important warnings and instructions. Please read and retain for reference.

**Serial Number\*** \_ \_ \_ \_ \_

\* See page 5 for location

# Important Safety Information



**Read all safety information before operating the equipment. Save these instructions.**



**Indicates a hazardous situation which, if not avoided, could result in death or serious injury.**

**To reduce the risks of fire or explosion, electrical shock and the injury to persons, read and understand all instructions included in this manual. Be familiar with the controls and proper usage of the equipment.**

## Grounding Instructions

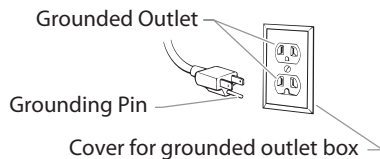
This product must be grounded. In the event of an electrical short circuit, grounding reduces the risk of electric shock by providing an escape wire for the electric current. This product is equipped with a cord having a grounding wire with an appropriate grounding plug. The plug must be plugged into an outlet that is properly installed and grounded in accordance with all local codes and ordinances.



**WARNING - Improper installation of the grounding plug can result in a risk of electric shock.**

If repair or replacement of the cord or plug is necessary, do not connect the green grounding wire to either flat blade terminal. The wire with insulation having a green outer surface with or without yellow stripes is the grounding wire and must be connected to the grounding pin.

Check with a qualified electrician or serviceman if the grounding instructions are not completely understood, or if you are in doubt as to whether the product is properly grounded. Do not modify the plug provided. If the plug will not fit the outlet, have the proper outlet installed by a qualified electrician.



**IMPORTANT: Use only a 3-wire extension cord that has a 3-blade grounding plug and a 3-slot receptacle that will accept the plug on the product. Make sure the extension cord is in good condition. When using an extension cord, be sure to use one heavy enough to carry the current the product will draw. An undersized cord will cause a drop in line voltage resulting in loss of power and overheating. A 12 gauge cord is recommended. If an extension cord is to be used outdoors, it must be marked with the suffix W-A after the cord type designation. For example, a designation of SJTW-A would indicate that the cord would be appropriate for outdoor use.**

**NOTE: More than 100 feet of extension cord is not recommended. Use more hose, not more extension cord. Shorter extension cords will assure maximum electrical power for proper operation.**



**HAZARD: GENERAL**

Can cause severe injury or property damage.

### PREVENTION:

- Read all instructions and safety precautions before operating any equipment.
- Follow all appropriate local, state, and national codes governing ventilation, fire prevention, and operation.
- The United States Government Safety Standards have been adopted under the Occupational Safety and Health Act (OSHA). These standards, particularly Part 1910 of the General Standards and Part 1926 of the Construction Standard should be consulted.
- Use only manufacturer authorized parts. User assumes all risks and liabilities when using parts that do not meet the minimum specifications and safety devices of the manufacturer.
- Before each use, check all hoses for cuts, leaks, abrasion or bulging of cover. Check for damage or movement of couplings. Immediately

replace the hose if any of these conditions exist. Never repair a hose. Replace it with an identical replacement hose.

- Do not spray outdoors on windy days.
- Wear clothing to keep paint off skin and hair.
- Never aim the spray gun at any part of the body.



**HAZARD: EXPLOSION HAZARD DUE TO INCOMPATIBLE MATERIALS**

Will cause property damage or severe injury.

### PREVENTION:

- Do not use materials containing bleach or chlorine.
- Do not use halogenated hydrocarbon solvents such as bleach, mildewcide, methylene chloride and 1,1,1 - trichloroethane. They are not compatible with aluminum.
- Contact your coating supplier about the compatibility of material with aluminum.



**HAZARD: EXPLOSION OR FIRE**

Solvent and paint fumes can explode or ignite. Property damage and/or severe injury can occur.

### PREVENTION:

- Exhaust and fresh air introduction must be provided to keep the air within the spray area free from accumulation of flammable vapors.
- Turbine contains sparking parts. Turbine must be placed in a well ventilated area at maximum distance from the spray area.
- Avoid all ignition sources such as static electricity, open flames, pilot lights, hot objects, cigarettes, and sparks from connecting and disconnecting power cords and working light switches.
- Use extreme caution when using materials with a flashpoint below 100° F (38°C). A fluid's flashpoint is the temperature at which vapors from the fluid could ignite if exposed to a flame or spark.
- Fire extinguishing equipment must be present and in working order.
- The power cord must be connected to a grounded circuit.
- Follow the material and solvent manufacturer's safety precautions and warnings.



**HAZARD: HAZARDOUS VAPORS**

Paints, solvents, insecticides, and other materials can be harmful if inhaled or come in contact with the body. Vapors can cause severe nausea, fainting, or poisoning.

### PREVENTION:

- Use a respirator or mask if vapors can be inhaled. Read all instructions supplied with the mask to be sure it will provide the necessary protection.
- Wear protective eyewear.
- Wear protective clothing as required by coating manufacturer.



**HAZARD: SKIN BURN INJURY**

Heated parts can cause severe skin burn injury.

### PREVENTION:

- Quick disconnect fittings on the hose and spray gun become hot during use. Avoid skin contact with quick disconnect fittings when they are hot. Allow quick disconnect fittings to cool before disconnecting the spray gun from the hose.

## Service

Should your spray system need service during the warranty period, return your unit and the proof of purchase to the distributor where it was purchased. At our option, the unit will be repaired or replaced. In a continued commitment to improve quality, we reserve the right to make component or design changes when necessary.

## Table of Contents

<b>Safety</b> .....	2
Grounding Instructions.....	2
<b>Service</b> .....	3
<b>Introduction</b> .....	3
<b>Using an HVLP Spray System</b> .....	3
Setup.....	3
Dual Filtration System.....	3
<b>Maintenance</b> .....	4
Cleaning/Replacing Filters.....	4
Cleaning the Air Hoses.....	4
<b>Troubleshooting</b> .....	5
<b>Product Registration</b> .....	5
<b>Français</b> .....	6
<b>Español</b> .....	10
<b>Parts List</b> .....	14-17
<b>Wiring Diagram</b> .....	18
<b>Warranty</b> .....	20

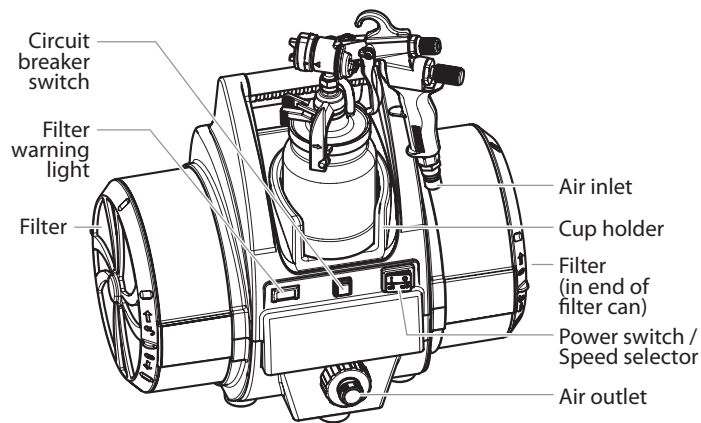
## Introduction

This High Volume/Low Pressure (HVLP) spray system is designed for applying coatings to surfaces that can be sprayed faster than brushing or rolling and are too small for traditional airless sprayers. Components of this system include a power switch, a power cord, a filter warning light, a circuit breaker switch, a dual filtration system, a cup holder, an air hose, and an air outlet.

The power switch comes with two speed settings. Low speed is generally used for light-bodied materials. High speed is ideal for thicker materials.

The turbine is also equipped with a tool box. It is located on the reverse side of the turbine and can be used to store projector sets or any other small spare parts.

**NOTE: Some of the graphics in this manual may not exactly match your turbine and spray gun. All information and instructions given in this manual applies to all models except where noted.**



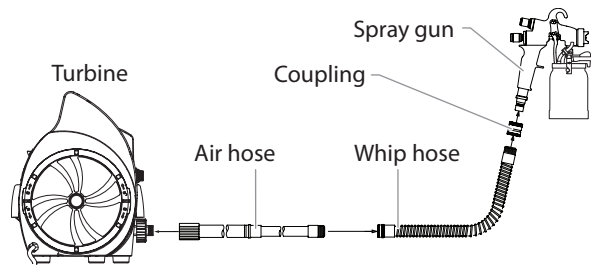
\*Air hose not pictured

With this HVLP spray system, you can achieve the highest quality professional finish possible with little or no preparation or setup time. Please review all the information contained in this manual before operating the system.

## Using an HVLP Spray System

Refer to the following information to operate and understand your HVLP spray system.

Your system may include a short air (“whip”) hose. The short hose should be connected to the longer hose or a remote spraying system (sold separately) and NOT directly to the turbine. See your spray gun instruction manual for complete instructions.



**IMPORTANT: Do not attach the short air whip hose directly to the turbine, as the hose will become damaged.**

## Setup

Use the following procedure to set up your HVLP spray system for operation.

1. Plug the turbine power cord into a grounded, 3-slot receptacle.

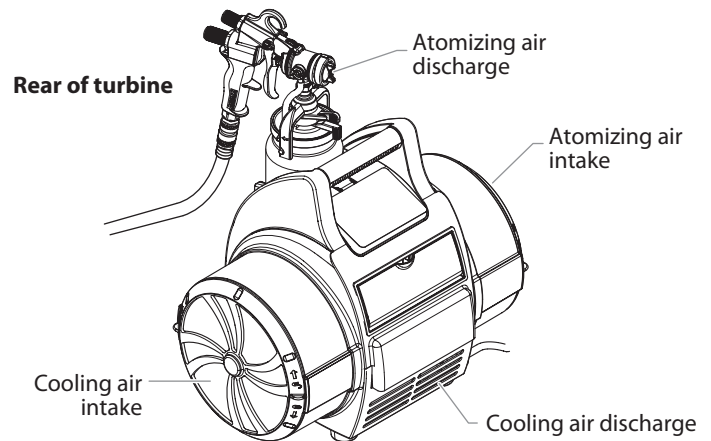


**Keep the turbine at the maximum possible distance from the spray area to safeguard against explosion or fire that may be caused by sparking electrical parts.**

2. Prepare your spray gun for operation. Refer to your spray gun manual for material preparation, setup, and spraying information.
3. Attach the air hose to the air outlet on the turbine.
4. Attach the air hose to the air inlet on your spray gun.
5. Turn on the turbine and begin spraying.

## Dual Filtration System

The turbine has two different air filters— one for atomizing air and one for cooling air. The atomizing air filter is a two-stage, fine mesh filter designed to trap particles that may damage your finish. The atomizing air is discharged through the nozzle of the spray gun where it atomizes the coating material. The cooling air filter is a coarse mesh filter designed to allow the proper amount of air flow through the turbine for cooling purposes. Cooling air is exhausted through the cooling air discharge on the front of the turbine.



## Filter Warning System

The filter warning system on your turbine consists of a red filter warning light on the front control panel and an air flow switch inside the turbine. When the air flow switch does not detect the appropriate amount of air flowing through the turbine, the filter warning light will come on to indicate that it is time to clean or change the filters.

**NOTE: The filter warning system does not shut down the turbine.**

**IMPORTANT: Clean filters regularly. Clogged filters can cause excessive heat and possibly damage the turbine.**

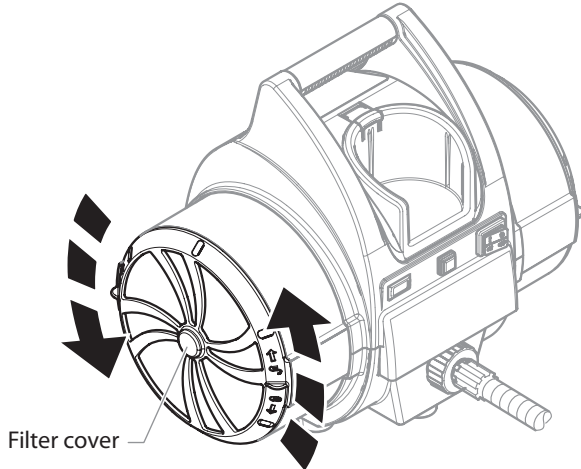
## Maintenance

Use the following procedures to keep your HVLP spray system running properly.

### Cleaning / Replacing the Filters

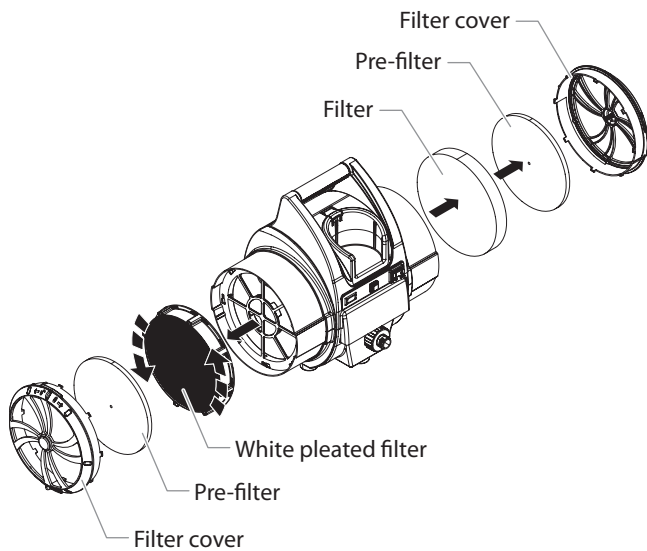
**IMPORTANT: Make sure the turbine is unplugged before changing the filters.**

1. Remove the filter covers on each side of the turbine by turning them counterclockwise.



2. Remove each filter set (pre-filter and filter) from the filter housing on each side of the turbine.

**NOTE: The white pleated filter is removed from the turbine in the same manner as the filter cover. Turn counterclockwise to unlock and remove.**



3. Clean the filters. Either tap the filters to knock out the contaminants or use pressurized air to blow out the contaminants. For material that is not blown or knocked loose easily, soak the filters in soapy water or mineral spirits. Allow the filters to dry completely before placing them back in the turbine.

**NOTE: Do not use highly flammable solvents, such as lacquer thinner, to clean the filters.**

**IMPORTANT: Do not soak paper pleated filter in solvents. Only tap the filter or use compressed air directed at the inside (the clean side).**

4. Insert each filter back into its corresponding filter can.

**NOTE: Make sure the white pleated filter is fitted securely to the spokes of the filter can. Turn clockwise to secure in place.**

5. Replace the filter covers on each side of the turbine by turning them clockwise.

After several cleanings, it may become necessary to replace the filters. Refer to the parts list near the end of this manual for the filter replacement kit part number.

### Cleaning the Air Hoses

1. Periodically wipe the outer surface of the air hose with a damp cloth to keep clean.

**IMPORTANT: DO NOT submerge into or flush the air hose with water or any chemical.**

**IMPORTANT: DO NOT use methylethylketon (MEK), naphtha, mineral spirits, paint thinner, xylol/xylene, or toluel/toluene to clean the air hose. Exposure over time could cause damage to the hose.**

**IMPORTANT: Store indoors with the cord wrapped around the handle.**

# Troubleshooting

Problem	Cause	Solution
A. Restricted air flow or no air flow	<ol style="list-style-type: none"> <li>1. Air flow adjustment knob on the spray gun is turned off</li> <li>2. Air filters are clogged</li> </ol>	<ol style="list-style-type: none"> <li>1. Adjust the air flow adjustment knob</li> <li>2. Clean or replace the filters</li> </ol>
B. Filter warning light is on	<ol style="list-style-type: none"> <li>1. Air filters are clogged</li> </ol>	<ol style="list-style-type: none"> <li>1. Clean or replace the filters</li> </ol>
C. The turbine has no power	<ol style="list-style-type: none"> <li>1. No power at the power supply</li> <li>2. Circuit breaker has been tripped.</li> <li>3. Worn turbine brushes</li> </ol>	<ol style="list-style-type: none"> <li>1. Check the power supply</li> <li>2. Reset the breaker. If problem persists, have turbine inspected at an authorized Titan service center.</li> <li>3. Have the brushes replaced at an authorized Titan service center</li> </ol>
D. Excessive arcing/sparking in the turbine	<ol style="list-style-type: none"> <li>1. Worn turbine brushes</li> <li>2. Damaged commutator</li> </ol>	<ol style="list-style-type: none"> <li>1. Have the brushes replaced at an authorized Titan service center</li> <li>2. Replace the turbine (contact a Titan service technician)</li> </ol>

## IMPORTANT:

- The turbine motor can be damaged if not serviced properly. Have the brushes (Kit P/N 0277243) checked for wear by an authorized service center every 400 hours.
- Clean filters regularly. When the filter warning light comes on, it is time to clean the filters. Clogged filters can cause excessive heat and possibly damage the unit.
- For additional troubleshooting information, see the manual that came with your gun.

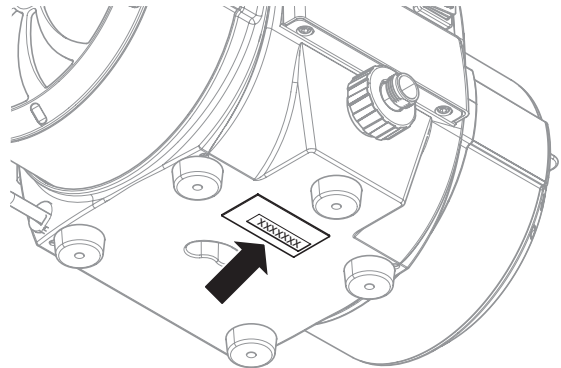
## Specifications

Air pressure	11.5 psi
Power	120VAC, 60 Hz, 15.0 A
Turbine weight	24 lbs
Main hose length	30 ft
Whip hose length	5 ft
Spray gun included	Maxum II or Maxum Elite

## Product Registration

Register your product at [www.titantool.com](http://www.titantool.com)

### Serial Number Location



### Titan 30-Day Satisfaction Guarantee

If, within a 30-day period from the date of purchase, you are not totally satisfied with a TITAN unit, you may return it for full credit toward another TITAN product of equal or greater value.

# Consignes de sécurité important



**Lire toutes ces consignes avant d'utiliser l'appareil. Garder ces consignes.**



**Indique une situation à risque, laquelle, si elle n'est pas évitée, peut entraîner des blessures graves, voire la mort.**

**Pour réduire les risques d'incendie ou d'explosion, de choc électrique et de blessure, vous devez lire et comprendre les directives figurant dans ce manuel. Familiarisez-vous avec les commandes et l'utilisation adéquate de l'équipement.**

## Instructions de mise à la terre

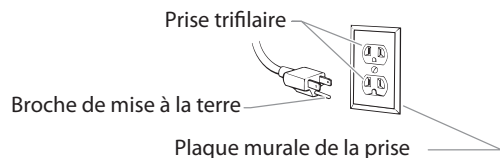
Cet appareil doit être mis à la terre. La mise à la terre réduit les risques d'électrocution lors d'un court-circuit en permettant au courant de s'écouler par le fil de mise à la terre. Cet appareil est muni d'un cordon électrique avec fil de mise à la terre ainsi que d'une fiche de terre. La fiche doit être branchée sur une prise installée correctement et mise à la terre conformément à la réglementation et aux codes en vigueur.



**MISE EN GARDE - Le fait de ne pas brancher correctement la fiche trifilaire de l'appareil peut entraîner des risques de choc électrique.**

S'il s'avère nécessaire de réparer ou de remplacer le cordon électrique ou la fiche, ne pas brancher le fil vert de mise à la terre sur l'une ou l'autre des bornes à broche plate. Le fil recouvert d'un isolant vert avec ou sans rayures jaunes est le fil de mise à la terre et doit être branché sur la broche de mise à la terre.

Si vous ne comprenez pas les instructions de mise à la terre ou si vous n'êtes pas sûr que l'appareil est correctement mis à la terre, contactez un électricien agréé. Ne pas modifier la fiche d'origine. Si la prise ne convient pas à la fiche, faites installer la prise adéquate par un électricien agréé.



**IMPORTANT : Utiliser uniquement une rallonge à trois fils munie d'une fiche de terre dans une prise secteur mise à la terre correspondant au type de fiche de l'appareil. S'assurer que votre rallonge est en bon état. Lorsque vous utilisez une rallonge, assurez-vous qu'elle soit d'un calibre suffisant pour supporter l'intensité du courant requise par l'appareil. Une rallonge trop mince entraîne une chute de tension, une diminution de l'intensité et une surchauffe. Une rallonge de calibre 12 est recommandée. Si vous devez utiliser une rallonge à l'extérieur, celle-ci doit comprendre la marque W-A après la désignation indiquant le type de cordon. Par exemple, la désignation SJTW-A indique que le cordon est conçu pour être utilisé à l'extérieur.**

**NOTA : On ne recommande pas l'utilisation de rallonges de plus de 30 m (100 pi); il est préférable de rallonger le tuyau que le cordon d'alimentation. Les rallonges plus courtes assureront la puissance électrique requise pour un fonctionnement adéquat.**



### **DANGER : GÉNÉRAUX**

Risques de dommages matériels et de blessures graves.

### **PRÉVENTION :**

- Lire toutes les directives et mises en garde avant de faire fonctionner l'équipement, quel qu'il soit.
- Se conformer à la législation locale, provinciale ou fédérale pour tout ce qui concerne la ventilation, la prévention des incendies et les conditions générales d'utilisation.
- Les normes de sécurité adoptées par le gouvernement américain l'ont été en vertu de sa Occupational Safety and Health Act (OSHA); ces normes, particulièrement les parties 1910 des normes générales et 1926 des normes de construction, devraient toujours être consultées.
- N'utiliser que les pièces autorisées par le fabricant. L'utilisateur assume tous les risques et responsabilités lorsqu'il utilise des pièces qui ne sont pas conformes aux caractéristiques techniques minimales ainsi qu'aux dispositifs de sécurité du fabricant.
- Vérifier, avant toute utilisation, que les flexibles ne présentent pas d'entaille ou de fuite, que le couvercle ne soit pas gonflé et que les

raccords ne soient pas endommagés. Si le flexible a subi l'un des dommages précités, remplacez-le immédiatement. Ne jamais réparer un flexible d'alimentation. Le remplacer avec un flexible identique de remplacement.

- Ne jamais pulvériser lorsqu'il vente.
- Porter des vêtements pour protéger la peau et les cheveux contre tout contact avec la peinture.
- On ne doit jamais orienter le pistolet vers une partie du corps.



### **DANGER : RISQUES D'EXPLOSION PAR INCOMPATIBILITÉ DES MATÉRIAUX**

Peuvent être à l'origine de corporels sérieux ou dommages matériels.

### **PRÉVENTION :**

- Ne pas utiliser de matériaux contenant des agents de blanchiment ou du chlore.
- Ne pas utiliser des solvants à base d'hydrocarbure halogéné tels que l'agent anticryptogamique, le chlorure de méthylène et le trichloro-éthane-1,1,1. Ces produits ne sont pas compatibles avec l'aluminium.
- Communiquer avec votre fournisseur de revêtement pour connaître la compatibilité du matériau avec l'aluminium.



### **DANGER : RISQUES D'EXPLOSION OU D'INCENDIE**

Les vapeurs dégagées par le solvant ou la peinture sont explosives et inflammables et peuvent causer des corporels sérieux ou dommages matériels.

### **PRÉVENTION :**

- Veiller à éviter toute accumulation de vapeurs inflammables en vous assurant que la zone où la pulvérisation a lieu est suffisamment ventilée.
- Veiller à éviter la présence de toute source incandescente telle qu'étincelle électrostatique, flamme nue, flamme-pilote, objet brûlant, cigarette et étincelle provenant du branchement ou du débranchement d'un cordon d'alimentation électrique ou d'un commutateur.
- Ne pas fumer dans la zone d'épandage.
- Toujours avoir un extincteur en état de fonctionner à portée de la main.
- Le cordon d'alimentation doit être raccordé à un circuit mis à la terre.
- S'assurer de suivre les directives en matière de sécurité et de lire les mises en garde du fabricant des solvants et des produits utilisés.
- S'entourer de toutes les précautions possibles lorsqu'on utilise des produits ayant un point d'éclair inférieur à 38 °C (100 °F). Le point d'éclair d'un fluide est la température à laquelle les vapeurs émanant du fluide peuvent s'enflammer au contact d'une flamme ou d'une étincelle.
- Le plastique peut être une source d'étincelles provoquées par l'électricité statique. Ne jamais utiliser une couverture en plastique pour fermer une zone d'épandage ni utiliser des toiles de protection en plastique lors de la pulvérisation de matières inflammables.



### **DANGER : VAPEURS NOCIVES**

La peinture, les solvants, les insecticides et autres matériaux peuvent être nocifs lorsqu'ils sont inhalés ou en contact avec le corps. Les vapeurs peuvent causer une nausée importante, des évanouissements ou un empoisonnement.

### **PRÉVENTION :**

- Utiliser un respirateur ou un masque chaque fois qu'il y a des risques d'inhalation de vapeurs. Lire attentivement toutes les instructions se rapportant au masque pour vérifier que celui-ci vous assure une protection suffisante contre les vapeurs toxiques.
- Porter des lunettes de protection.
- Porter des vêtements de protection, conformément aux directives du fabricant de revêtement.



### **DANGER : DANGER DE BRÛLURE**

Les pièces chauffées peuvent causer de graves brûlures cutanées.

### **PRÉVENTION :**

- Les raccords à dégagement rapide du tuyau flexible et du pistolet peuvent s'échauffer en cours d'utilisation; il faut alors éviter les contacts cutanés, en attendant que les raccords refroidissent avant de séparer le pistolet du tuyau.

## Entretien et Réparations

Si le système requiert de l'entretien ou des réparations pendant la période de la garantie, on doit le retourner, accompagné d'une preuve d'achat, au distributeur chez qui on l'a acheté. Il sera alors, selon le choix du fabricant, réparé ou remplacé. Dans le cadre de son engagement perpétuel envers l'amélioration de la qualité, nous réservons le droit de modifier les composants ou la conception de ses produits si elle le juge nécessaire.

## Table des matières

Sécurité.....	6
Instructions pour la mise à la terre .....	6
Entretien et Réparations.....	6
Introduction.....	7
Utilisation d'un système de vaporisation HVLP.....	7
Préparation .....	7
Système de double filtration.....	7
Maintenance .....	8
Nettoyage/remplacement des filtres .....	8
Nettoyage le tuyau pour l'air.....	8
Recherche des pannes.....	9
Enregistrement du produit.....	9
Liste de pièces.....	14-17
Diagramme électrique .....	18
Garantie.....	19

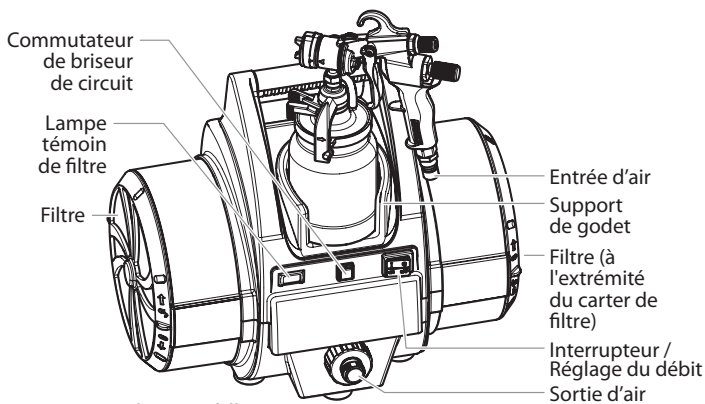
## Introduction

Ce système de vaporisation "High Volume/Low Pressure (HVLP) (volume élevé/basse pression) est conçu pour l'application de revêtements sur des surfaces qui peuvent être peintes plus rapidement qu'avec un pinceau ou un rouleau et qui sont trop petites pour permettre l'utilisation des vaporisateurs sans air traditionnels. Le système comprend les composants suivants : un interrupteur d'alimentation, un câble d'alimentation, une lampe témoin de filtre, un commutateur de briseur de circuit, un système de double filtration, un support de godet, un boyau pour l'air et une sortie d'air.

L'interrupteur d'alimentation est doté de deux réglages de vitesse. La basse vitesse est généralement utilisée pour les matériaux liquides. La haute vitesse est idéale pour les matériaux plus épais.

La turbine est également munie d'une trousse d'outils. Elle est située sur le revers de la turbine et peut servir à ranger les jeux de gicleur ou autres petites pièces de rechange.

**NOTA : Dans le présent manuel, certaines illustrations peuvent ne pas correspondre exactement à votre turbine et à votre pistolet. Les renseignements et directives donnés ici s'appliquent à tous les modèles, sauf indications contraires.**



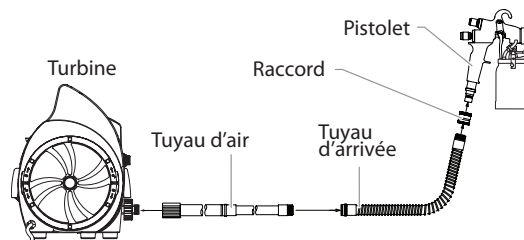
Grâce à ce système HVLP, il est possible d'obtenir une très haute qualité professionnelle avec peu de préparation et de temps de réglage. Veuillez SVP consulter toutes les informations contenues dans ce manuel avant de faire fonctionner le système.

## Utilisation d'un système de vaporisation HVLP

Se reporter aux informations suivantes pour faire fonctionner et bien assimiler le système de vaporisation HVLP.

Il est possible que votre système comprenne un tuyau court pour l'air (« tuyau d'arrivée »). Le tuyau court devrait être raccordé au tuyau long ou à un système de pulvérisation éloigné (vendu séparément) et

NON directement à la turbine. Reportez-vous à votre mode d'emploi du pistolet pulvérisateur pour des instructions complètes.



**IMPORTANT : Ne raccordez pas le tuyau court d'arrivée d'air directement à la turbine, car cela endommagera le tuyau.**

## Préparation

Utiliser la procédure suivante pour préparer à faire fonctionner le système de vaporisation HVLP.

1. Brancher le câble d'alimentation de la turbine dans une prise électrique à 3 broches équipée d'une mise à la terre.

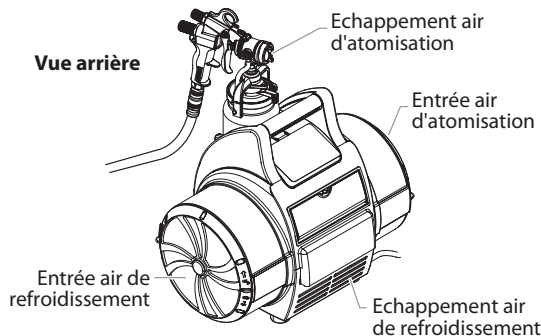


**Maintenir la turbine aussi éloignée que possible de la zone de vaporisation, de manière à éviter tout incendie ou explosion provoqué par les pièces produisant des étincelles.**

2. Préparer à faire fonctionner le pistolet de vaporisation. Se reporter au manuel du pistolet de vaporisation pour les informations concernant la préparation de l'équipement, le réglage et la vaporisation.
3. Raccorder le boyau pour l'air à la sortie d'air de la turbine.
4. Raccorder le boyau pour l'air à l'entrée d'air du pistolet de vaporisation.
5. Mettre en marche la turbine et commencer à vaporiser.

## Système de double filtration

La turbine comporte deux filtres à air différents — un pour l'atomisation de l'air et l'autre pour le refroidissement de l'air. Le filtre à air pour l'atomisation est un filtre à mailles fin à deux étages conçu pour piéger les particules néfastes à la qualité de la finition. L'air d'atomisation est évacué à travers la buse du pistolet de vaporisation où il atomise le matériau du revêtement. Le filtre à air pour le refroidissement est un filtre à mailles grossières conçu pour permettre un débit d'air de refroidissement approprié à travers la turbine. L'air de refroidissement est évacué par l'échappement d'air de refroidissement situé à l'avant de la turbine.



## Système d'avertissement de filtre

Le système d'avertissement du filtre de la turbine comporte une lampe témoin de filtre rouge sur le panneau de commande frontal et un commutateur de débit d'air à l'intérieur de la turbine. Lorsque le commutateur de débit d'air ne détecte pas le débit d'air approprié devant circuler à travers la turbine, la lampe témoin s'allume pour indiquer qu'il est temps de nettoyer ou de changer les filtres.

**NOTA : Le système d'avertissement du filtre n'arrête pas le fonctionnement de la turbine.**

**IMPORTANT : Nettoyer régulièrement les filtres. Les filtres engorgés peuvent engendrer une surchauffe et peut-être endommager l'unité.**

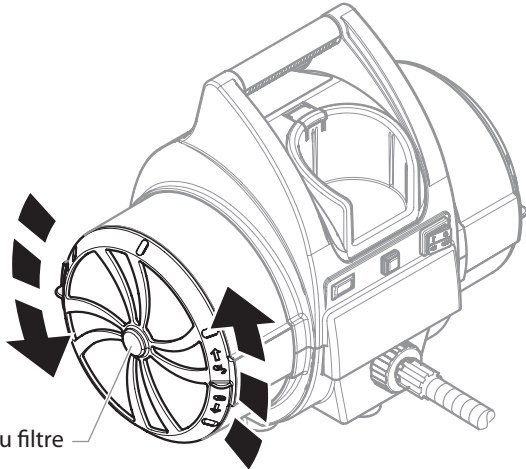
## Maintenance

Utiliser la procédure suivante pour maintenir votre pistolet de vaporisation HVLP en bon état de fonctionnement.

### Nettoyage/remplacement des filtres

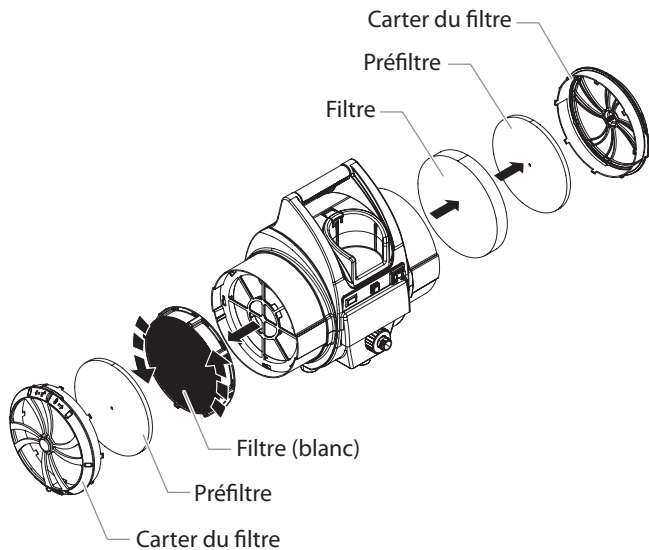
**IMPORTANT : Assurez-vous que la turbine est débranchée avant de changer les filtres.**

1. Enlevez les couvercles de filtre de chaque côté de la turbine en les tournant dans le sens contraire des aiguilles d'une montre.



2. Enlevez chaque jeu de filtre (préfiltre et filtre) du boîtier du filtre de chaque côté de la turbine.

**NOTA : Le filtre de papier blanc plissé s'enlève de la turbine de la même manière que le couvercle de filtre. Tournez dans le sens contraire des aiguilles d'une montre pour le déverrouiller et l'enlever.**



3. Nettoyer les filtres. Donner des petits coups sur les filtres pour évacuer les contaminants ou utiliser de l'air comprimé pour les chasser. Pour les matières qui ne sont pas évacuées facilement, tremper les filtres dans de l'eau savonneuse ou dans de l'essence minérale. Laisser sécher complètement les filtres avant de les remonter dans la turbine.

**NOTA: Pour nettoyer les filtres, ne pas utiliser de solvants hautement inflammable tels que les diluants à peinture-laque.**

**IMPORTANT : Ne laissez pas tremper le filtre de papier plissé dans des solvants. Tapotez seulement le filtre ou utilisez de l'air comprimé en le dirigeant à l'intérieur (côté propre).**

4. Remonter chaque filtre dans son carter correspondant.

**NOTA : Assurez-vous que le filtre de papier blanc plissé est raccordé solidement aux rayons de la cuvette de filtre. Tournez dans le sens des aiguilles d'une montre pour le fixer solidement en place.**

5. Remplacez les couvercles de filtre de chaque côté de la turbine en les tournant dans le sens des aiguilles d'une montre.

Après plusieurs nettoyages, il peut devenir nécessaire de remplacer les filtres. Se reporter à la liste de pièces à la fin de ce manuel pour la référence de l'ensemble de remplacement de filtre.

### Nettoyage le tuyau d'air

1. Essuyer périodiquement la surface externe des tuyau d'air avec un chiffon humide pour maintenir propre.

**IMPORTANT : Ne pas submerger ou ne pas rincer les tuyau d'air avec l'eau ou aucun produit chimique.**

**IMPORTANT : Ne pas nettoyer ce tuyau à l'aide de butanone, de naphtha, d'essence minérale, de diluant ou de xylol. Une exposition prolongée à ces produits pourrait l'endommager.**

**IMPORTANT : Rangez à l'intérieur d'un bâtiment avec le cordon d'alimentation enroulé autour de la poignée.**



## Recherche des pannes

Problème	Cause	Solution
A. Débit d'air restreint ou aucun débit d'air	<ol style="list-style-type: none"> <li>1. Le bouton de réglage de débit d'air sur le pistolet de vaporisation est fermé</li> <li>2. Les filtres à air sont colmatés</li> </ol>	<ol style="list-style-type: none"> <li>1. Ajuster le bouton de réglage de débit d'air</li> <li>2. Nettoyer ou remplacer les filtres</li> </ol>
B. La lampe témoin de filtre est allumée	<ol style="list-style-type: none"> <li>1. Les filtres à air sont colmatés</li> </ol>	<ol style="list-style-type: none"> <li>1. Nettoyer ou remplacer les filtres</li> </ol>
C. La turbine n'a pas de puissance	<ol style="list-style-type: none"> <li>1. Pas d'alimentation électrique</li> <li>2. Le disjoncteur a été déclenché.</li> <li>3. Les balais de la turbine sont usés</li> </ol>	<ol style="list-style-type: none"> <li>1. Vérifier l'alimentation électrique</li> <li>2. Retournez le disjoncteur à sa position enclenchée. Si le problème ne se règle pas, faites inspecter la turbine à un centre de service autorisé Titan.</li> <li>3. Faire remplacer les balais par un centre de service agréé Titan</li> </ol>
D. Production excessive d'arcs électriques/étincelles dans la turbine	<ol style="list-style-type: none"> <li>1. Les balais de la turbine sont usés</li> <li>2. Le commutateur est endommagé</li> </ol>	<ol style="list-style-type: none"> <li>1. Faire remplacer les balais par un centre de service agréé Titan</li> <li>2. Remplacer la turbine (contacter un technicien Titan)</li> </ol>

### IMPORTANT :

- Le moteur de la turbine peut être endommagé si on n'en effectue pas l'entretien approprié. Faire vérifier l'usure des brosses (N/P 0277243) par un centre d'entretien autorisé à toutes les 400 heures d'utilisation.
- Nettoyer régulièrement les filtres. Si le voyant lumineux s'allume, c'est qu'il est temps d'y voir. Les filtres engorgés peuvent engendrer une surchauffe et peut-être endommager l'unité.
- Pour obtenir de plus amples renseignements en matière de diagnostic des anomalies, consulter le manuel accompagnant le pistolet.

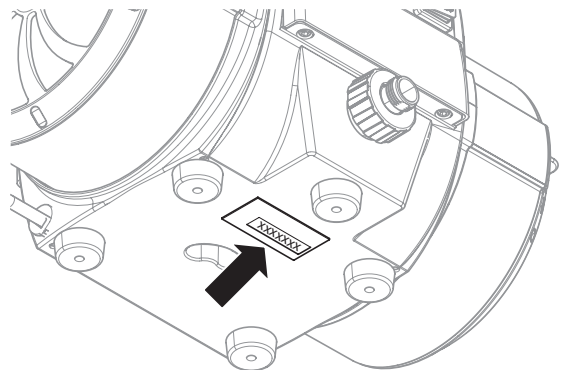
### Spécifications

Pression d'air	11,5 psi
Alimentation	120VAC, 60 Hz, 15 A
Poids de la turbine	10,9 kg
Longueur du tuyau principal	9,1 m
Longueur du tuyau l'arrivée	1,5 m
Pistolet compris	Maxum II ou Maxum Elite

### Enregistrement du produit

Enregistrer votre appareil en ligne à [www.titantool.com](http://www.titantool.com).

#### Emplacement du numéro de série



#### Garantie de satisfaction 30 jours de Titan

Si, au cours des 30 jours suivant l'achat, vous n'êtes pas totalement satisfait d'un appareil TITAN, vous pouvez le renvoyer et obtenir un crédit complet contre un autre produit TITAN de valeur égale ou supérieure.

# Información de seguridad importante



**Lea toda la información de seguridad antes de operar el equipo. Guarde estas instrucciones.**



**Indica una situación peligrosa que, de no evitarse, puede causar la muerte o lesiones graves.**

**Para reducir los riesgos de incendios, explosiones, descargas eléctricas o lesiones a las personas, lea y entienda todas las instrucciones incluidas en este manual. Familiarícese con los controles y el uso adecuado del equipo.**

## Instrucciones para conectar a tierra

Este producto se debe conectar a tierra. En caso de que ocurra un corto circuito, la conexión a tierra reduce el riesgo de choque eléctrico al proporcionar un alambre de escape para la corriente eléctrica. Este producto está equipado con un cable que tiene un alambre de conexión a tierra con un enchufe de conexión a tierra apropiado. El enchufe se debe enchufar en una toma de corriente que se haya instalado y conectado a tierra debidamente, de acuerdo con todos los códigos y estatutos locales.



**ADVERTENCIA - La instalación incorrecta del enchufe a tierra puede ocasionar un riesgo de choque eléctrico.**

Si es necesario reparar o reemplazar el cable o el enchufe, no conecte el alambre de conexión a tierra a ninguno de los terminales de hoja planas. El alambre con aislamiento que tiene la superficie exterior de color verde con franjas amarillas o sin ellas es el alambre de conexión a tierra que debe conectarse al conector de conexión a tierra.

Verifique con un electricista o técnico de servicio calificado si las instrucciones para conectar a tierra no le han quedado completamente claras, o si duda que el producto haya quedado conectado a tierra de manera apropiada. No modifique el enchufe que se proporciona. Si el enchufe no entra en la toma de corriente, pídale a un electricista calificado que instale la toma apropiada.

Receptáculo conectado a tierra



**IMPORTANTE: Use solamente extensiones trifilares que tengan un enchufe de conexión a tierra de 3 hojas y un receptáculo de triple ranura que acepte el enchufe del producto. Asegúrese de que su extensión esté en buenas condiciones. Cuando use una extensión, asegúrese de usar una que sea lo suficientemente resistente como para soportar la corriente que descargue su producto. Un cable de un tamaño menor causará una caída de voltaje en la línea que dará como resultado una pérdida de energía y un sobrecalentamiento. Se recomienda usar un cable de calibre 12. Si se utiliza un cable de extensión en el exterior, tiene que estar marcado con el sufijo W-A después de la designación del tipo de cable. Por ejemplo, SJTW-A para indicar que el cable es apropiado para uso en exteriores.**

**NOTA: No se recomienda usar una extensión de más de 100 pies. Use una longitud mayor de manguera de pintura, no una extensión más larga. Una extensión más corta asegurará que haya la energía eléctrica máxima para tener un funcionamiento apropiado.**



**PELIGRO: GENERAL**

Puede causar daños en la propiedad o lesiones severas.

### PREVENCIÓN:

- Lea todas las instrucciones y advertencias de seguridad antes de hacer funcionar cualquier equipo.
- Observe todos los códigos locales, estatales y nacionales apropiados que rigen las medidas de ventilación, prevención de incendios y operación.
- Los Estándares de Seguridad del Gobierno de los Estados Unidos se han adoptado bajo el Decreto de Seguridad y Salud Ocupacionales (OSHA por sus siglas en inglés). Deben consultarse estos estándares, particularmente la parte 1910 de los Estándares Generales y la parte 1926 de los Estándares de la Construcción.
- Utilice únicamente piezas autorizadas por el fabricante. El usuario asume todos los riesgos y responsabilidades si usa piezas que no cumplen con las especificaciones mínimas y dispositivos de seguridad del fabricante.

- Antes de usarla cada vez, revise todas las mangueras para ver que no tengan cortadas, fugas, una cubierta desgastada por abrasión o con abolladuras, así como uniones dañadas o que se hayan movido. Si existiera cualquiera de estas condiciones, reemplace la manguera inmediatamente. No repare nunca una manguera. Reemplazar lo con una manguera idéntica de reemplazo.
- No atomice en días con viento.
- Use ropa que evite el contacto de la pintura con la piel y el cabello.
- Nunca apunte la pistola hacia alguna parte del cuerpo.



**PELIGRO: POSIBLE EXPLOSIÓN DEBIDO A MATERIALES INCOMPATIBLES**

Causará daños materiales o lesiones graves.

### PREVENCIÓN:

- No use materiales que contengan blanqueador o cloro.
- No use solventes de hidrocarburos halogenados como blanqueador, mohocida, cloruro de metileno y 1,1,1 tricloroetano. No son compatibles con el aluminio.
- Diríjase al proveedor de revestimientos para obtener los datos de compatibilidad del material con el aluminio.



**PELIGRO: INCENDIO O EXPLOSIÓN**

Los vapores de los solventes y pinturas pueden explotar o encenderse y causar con esto daños en la propiedad y/o lesiones severas.

### PREVENCIÓN:

- Se deberá contar con un escape y entrada de aire fresco para mantener el aire del área de atomización libre de acumulaciones de vapores inflamables.
- La turbina contiene partes que producen chispa. La turbina debe colocarse en un área bien ventilada a distancia máxima del área de pintado.
- Evite que haya cualquier fuente de ignición como la electricidad estática, llamas abiertas, flamas de pilotos, objetos calientes, cigarrillos y chispas que provengan de conectar y desconectar cables de energía e interruptores de luces que estén funcionando.
- Tenga muchísimo cuidado al usar materiales cuyo punto de ignición sea inferior a 100° F (38° C). El punto de ignición es la temperatura a la cual pueden encenderse los vapores emanados por un fluido al exponerlos a llamas o chispas.
- Debe haber equipo para extinción de incendios que además funcione bien.
- El cable de energía debe conectarse en un circuito que esté conectado a tierra.
- Siga las medidas de precaución y advertencias de seguridad del fabricante del material y del solvente.



**PELIGRO: GASES PELIGROSOS**

Las pinturas, solventes, insecticidas y otros materiales pueden ser perjudiciales si se inhalan o entran en contacto con el cuerpo. Los gases pueden causar náusea, desmayos o envenenamiento graves.

### PREVENCIÓN:

- Use una mascarilla respiratoria o careta siempre que exista la posibilidad de que se puedan inhalar vapores. Lea todas las instrucciones que vengan con la careta para estar seguro de que se tendrá la protección necesaria contra la inhalación de vapores dañinos.
- Use gafas protectoras.
- Use ropa de protección, según lo requiera el fabricante del producto.



**PELIGRO: QUEMADURA DE LA PIEL**

Las piezas calientes pueden causar lesiones de quemadura de la piel severas.

### PREVENCIÓN:

- Las conexiones de desconexión rápida de la manguera y la pistola de atomización se llegan a calentar mientras se usan. Evite que la piel tenga contacto con las conexiones de desconexión rápida cuando se calienten. Deje que las conexiones de desconexión rápida se enfríen antes de desconectar la pistola de atomización de la manguera.

## Servicio

Si su pistola necesitara recibir servicio durante el periodo de garantía, devuelva la pieza y la prueba de compra al distribuidor donde la compró. Nosotros decidiremos si la reparamos o la reemplazamos. Por el compromiso continuo que se tiene de mejorar la calidad, nosotros reservamos el derecho de hacer cambios de componentes o diseño cuando sea necesario.

## Índice

Seguridad.....	10
Instrucciones para Aterrizar .....	10
Servicio .....	10
Introducción.....	11
Cómo usar un sistema de atomización HVLP .....	11
Preparación.....	11
Sistema doble de filtración .....	11
Mantenimiento .....	12
Limpieza/cambio de filtros.....	12
Limpieza la manguera de aire .....	12
Solución de problemas .....	13
Registro del producto .....	13
Lista de piezas.....	14-17
Diagrama eléctrico .....	18
Garantía.....	19

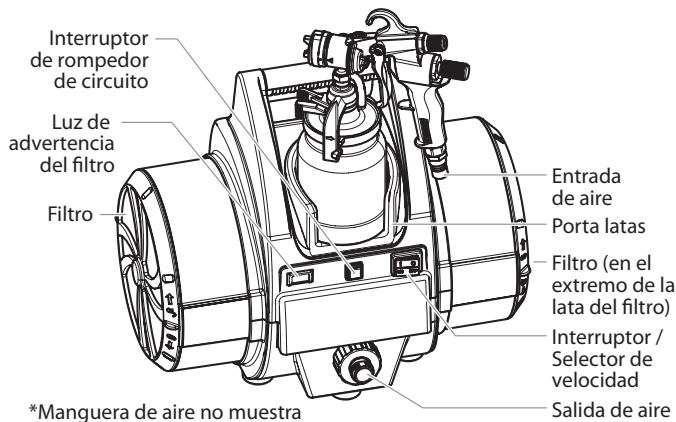
## Introducción

Este sistema de atomización Alto Volumen/Baja Presión (HVLP) está diseñado para aplicar recubrimientos a superficies que pueden pintarse más rápidamente que con brocha o rodillo y que son demasiado pequeñas para los tradicionales atomizadores sin aire. Los componentes de este sistema incluyen un switch de potencia, cable de energía, luz de advertencia del filtro, un interruptor de rompedor de circuito, sistema doble de filtración, un porta latas, una manguera de aire y una salida de aire.

El interruptor de alimentación viene con dos configuraciones de velocidad. Generalmente la velocidad baja se usa para materiales de cuerpo ligero. La velocidad alta es ideal para materiales más densos.

La turbina también cuenta con una caja de herramientas, ubicada en la parte posterior, la cual se puede utilizar para guardar conjuntos de proyector u otros repuestos pequeños.

**NOTA: Algunos gráficos en este manual tal vez no coincidan exactamente con su turbina o pistola rociadora. Toda la información y las instrucciones de este manual se aplican a todos los modelos excepto cuando se indica lo contrario.**



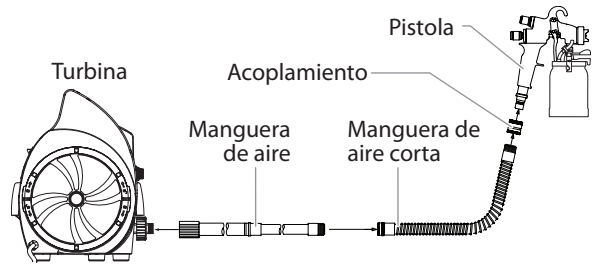
Con este sistema de atomización HVLP, usted puede lograr un acabado profesional de la mayor calidad con poco o nada de tiempo de preparación. Por favor revise toda la información en este manual antes de usar el sistema.

## Cómo usar un sistema de atomización HVLP

Consulte la siguiente Información para operar y entender su sistema de atomización HVLP.

Puede que su sistema incluya una manguera de aire corta (con conexión flexible). La manguera corta se debe conectar a la manguera más larga o a un sistema de pulverización remoto (vendido por separado) y NO directamente a la turbina. Consulte el manual de instrucciones de la pistola pulverizadora para conocer las instrucciones completas.

© Titan Tool Inc. Todos los derechos reservados.



**IMPORTANTE: No conecte la manguera de aire corta con conexión flexible directamente a la turbina, ya que se puede dañar la manguera.**

## Preparación

Use el siguiente procedimiento para preparar su sistema de atomización HVLP para operación.

1. Conecte el cable de potencia de la turbina en un contacto aterrizado de 3-ranuras.

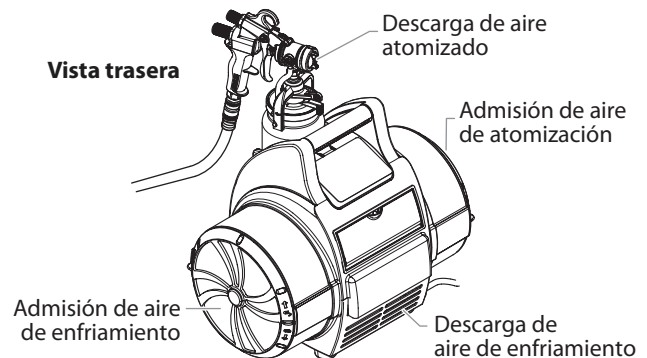


**Mantenga la turbina a la máxima distancia posible del área de pintado para salvaguardar contra la posibilidad de explosión o incendio causado por partes eléctricas generando chispa.**

2. Prepare su pistola atomizadora para operación. Consulte el manual de su pistola atomizadora para preparación del material, e información de preparación y atomización.
3. Conecte la manguera de aire a la salida de aire en la turbina.
4. Conecte la manguera de aire a la entrada de aire en su pistola atomizadora.
5. Encienda la turbina y comience a pintar.

## Sistema doble de filtración

La turbina tiene dos filtros de aire diferentes - uno para atomizar el aire y el otro para enfriar el aire. El filtro de atomización es un filtro de dos etapas, con tamiz de malla fina diseñado para atrapar las partículas que pudieran dañar su acabado. El aire atomizado se descarga a través de la boquilla de la pistola de aire donde atomiza el material de recubrimiento. El filtro de enfriamiento es de malla gruesa diseñado para permitir el paso del flujo adecuado de aire a través de la turbina para enfriarlo. El aire de enfriamiento es ventilado a través de la descarga de aire de enfriamiento al frente de la turbina.



## Sistema de advertencia de filtro

El sistema de advertencia de filtro en su turbina consiste de una luz roja de advertencia del filtro en el tablero de control delantero y un switch de flujo de aire dentro de la turbina. Cuando el switch de flujo de aire no detecta el flujo adecuado de aire pasando por la turbina, se enciende la luz de advertencia para indicar la necesidad de limpiar o cambiar los filtros.

**NOTA: El sistema de advertencia de filtro no apaga la turbina.**

**IMPORTANTE: Limpie los filtros regularmente. Los filtros tapados pueden causar un calor excesivo y posiblemente que la unidad se dañe.**

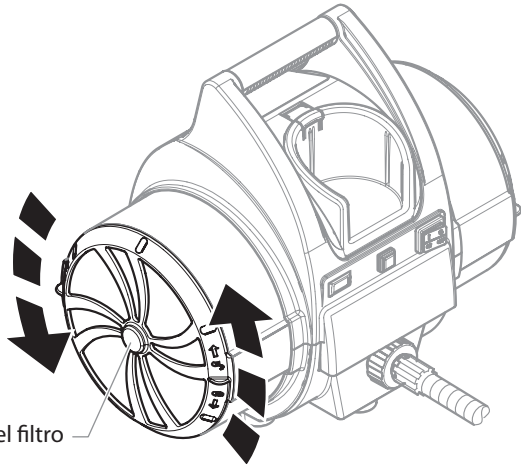
## Mantenimiento

Use los siguientes procedimientos para que su sistema de atomización HVLP trabaje correctamente.

### Limpiando / cambiando los filtros

**IMPORTANTE:** Asegúrese de que la turbina esté desconectada antes de cambiar los filtros.

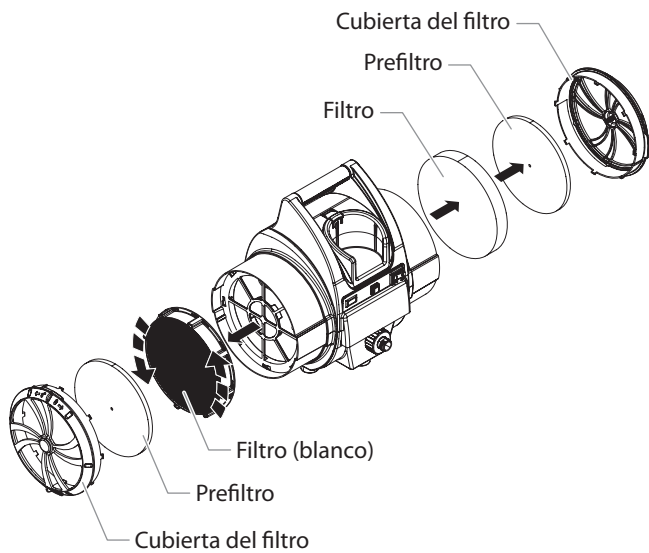
1. Retire las tapas de los filtros que se encuentran a cada lado de la turbina girándolas en sentido contrario al de las agujas del reloj.



Cubierta del filtro

2. Retire cada conjunto de filtro (prefiltro y filtro), de la carcasa del filtro a cada lado de la turbina.

**NOTA:** El filtro plisado blanco se retira de la turbina de la misma forma que la tapa del filtro. Gire en sentido contrario al de las agujas del reloj para desbloquear y retirar.



3. Limpie los filtros. Puede sacudir los filtros para sacar los contaminantes o usar aire comprimido para sopletar los contaminantes. Para material pegado difícil de separar, sumerja los filtros en agua jabonosa o espíritus minerales. Permita que los filtros se sequen completamente antes de volverlos a colocar en la turbina.

**NOTA:** No use solventes inflamables, tales como adelgazador de laca, para limpiar los filtros.

**IMPORTANTE:** No empape el filtro plisado de papel en solventes. Solamente golpee el filtro o use aire comprimido directamente en el interior (lado limpio).

4. Inserte cada filtro nuevamente en su lata de filtro correspondiente.

**NOTA:** Asegúrese de que el filtro plisado esté ajustado firmemente en los rayos del recipiente cilíndrico. Gire en el sentido de las agujas del reloj para fijarlo en su lugar.

5. Vuelva a colocar las tapas de los filtros que se encuentran a cada lado de la turbina girándolas en el sentido de las agujas del reloj.

Después de varias limpiezas, pudiera ser necesario reponer los filtros. Consulte la lista de partes al final de este manual para el número de parte de los juegos de filtros de repuesto.

### Limpiando la manguera de aire

1. Limpiar periódicamente la superficie externa de la manguera de aire con un paño húmedo para mantener limpio.

**IMPORTANTE:** No sumergir ni limpiar la manguera de aire con agua o cualquier producto químico.

**IMPORTANTE:** No utilice metil etil cetona (MEK), nafta, disolvente de pintura o xilol/xileno para limpiar esta manguera. La exposición por periodos prolongados de tiempo puede provocar daños a la manguera.

**IMPORTANTE:** Guarde la unidad en interiores con el cable enrollado alrededor de la manilla.

## Solución de problemas

Problema	Causa	Solución
A. Flujo restringido de aire o ningún flujo	<ol style="list-style-type: none"> <li>1. Está cerrada la perrilla de ajuste de flujo en la pistola atomizadora</li> <li>2. Los filtros de aire están tapados</li> </ol>	<ol style="list-style-type: none"> <li>1. Ajuste la perrilla de ajuste de flujo de aire</li> <li>2. Limpie o reponga los filtros</li> </ol>
B. La luz de advertencia del filtro está encendida	<ol style="list-style-type: none"> <li>1. Los filtros de aire están tapados</li> </ol>	<ol style="list-style-type: none"> <li>1. Limpie o reponga los filtros</li> </ol>
C. La turbina no tiene energía	<ol style="list-style-type: none"> <li>1. No hay energía en la fuente de poder</li> <li>2. Se desconectó el interruptor automático.</li> <li>3. Los cepillos de la turbina están desgastados</li> </ol>	<ol style="list-style-type: none"> <li>1. Revise la fuente de poder</li> <li>2. Reinicie el interruptor automático. Si los problemas persisten, solicite que un centro de servicio técnico autorizado de Titan inspeccione la turbina.</li> <li>3. Mandé cambiar los cepillos en un centro de servicio autorizado Titan.</li> </ol>
D. Arqueo/chispas excesivas en la turbina	<ol style="list-style-type: none"> <li>1. Los cepillos de la turbina están desgastados</li> <li>2. Conmutador dañado</li> </ol>	<ol style="list-style-type: none"> <li>1. Mandé cambiar los cepillos en un centro de servicio autorizado Titan</li> <li>2. Cambie la turbina (consulte un técnico de servicio Titan)</li> </ol>

### IMPORTANTE:

- El motor de la turbina se puede dañar si no se le da servicio de manera apropiada. Pida a un centro de servicio autorizado que verifique el desgaste de las brochas (Juego N/P 0277243) cada 400 horas.
- Limpie los filtros regularmente. Cuando la luz de advertencia se encienda, significará que es tiempo de limpiar los filtros. Los filtros tapados pueden causar un calor excesivo y posiblemente que la unidad se dañe.
- Vea el manual que viene con la pistola para consultar la información de detección de problemas adicional.

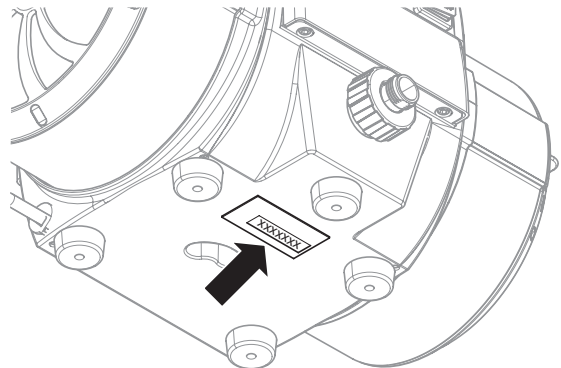
### Especificaciones

Presión de aire	11,5 psi
Potencia	120VAC, 60 Hz, 15 A
Peso de la turbina	10,9 kg
Peso de la manguera principal	9,1 m
Peso de la conexión flexible de la manguera	1,5 m
Se incluye la pistola	Maxum II o Maxum Elite

### Registro del producto

Registre su producto en línea en [www.titantool.com](http://www.titantool.com).

#### Ubicación del número de serie



#### Garantía de Satisfacción Titan por 30-Días

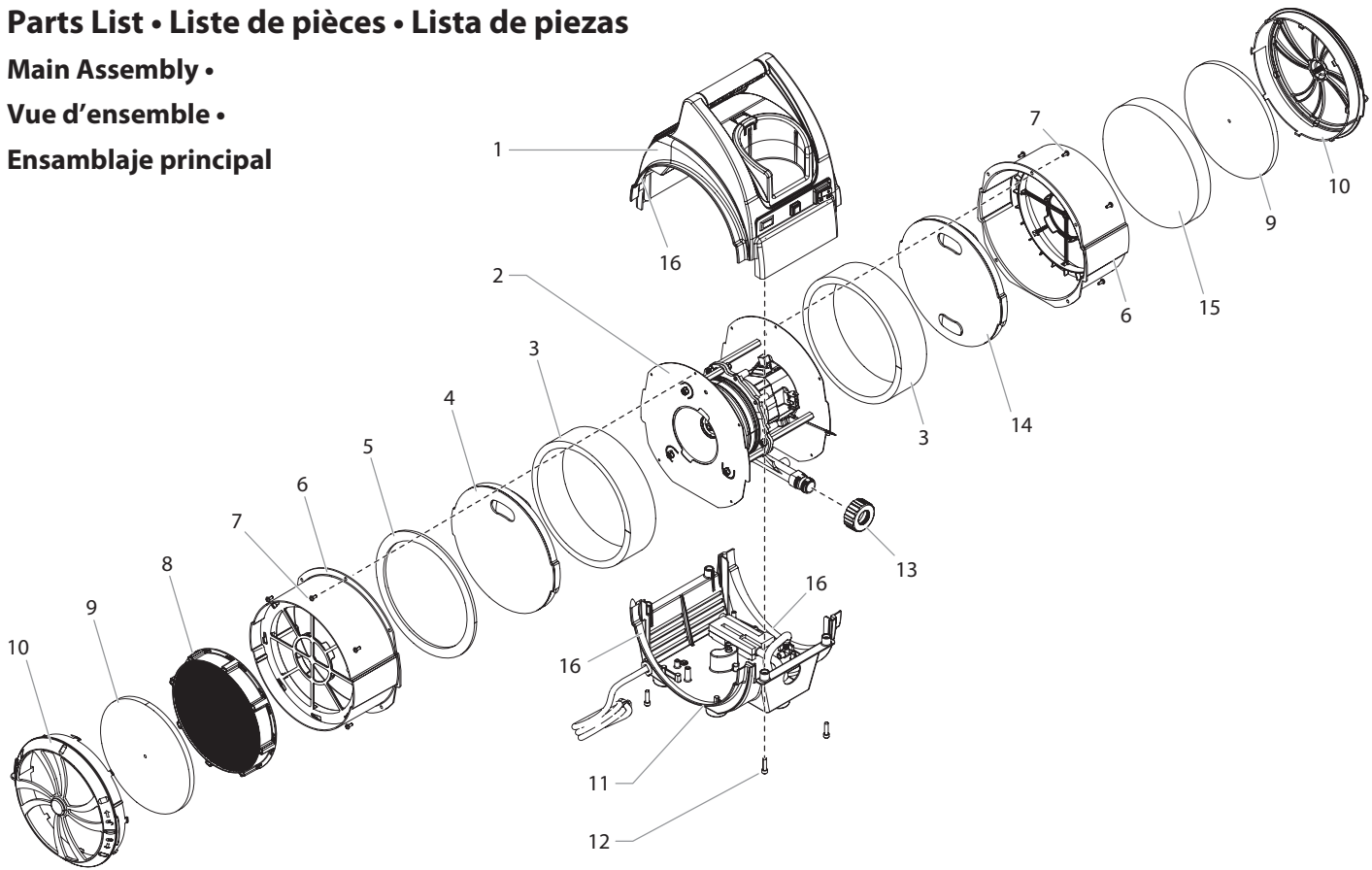
Si, dentro de un período de 30-días de la fecha de compra, usted no está totalmente satisfecho con una unidad TITAN, puede regresarla y recibir un crédito total hacia otro producto TITAN de igual o mayor valor.

# Parts List • Liste de pièces • Lista de piezas

## Main Assembly •

### Vue d'ensemble •

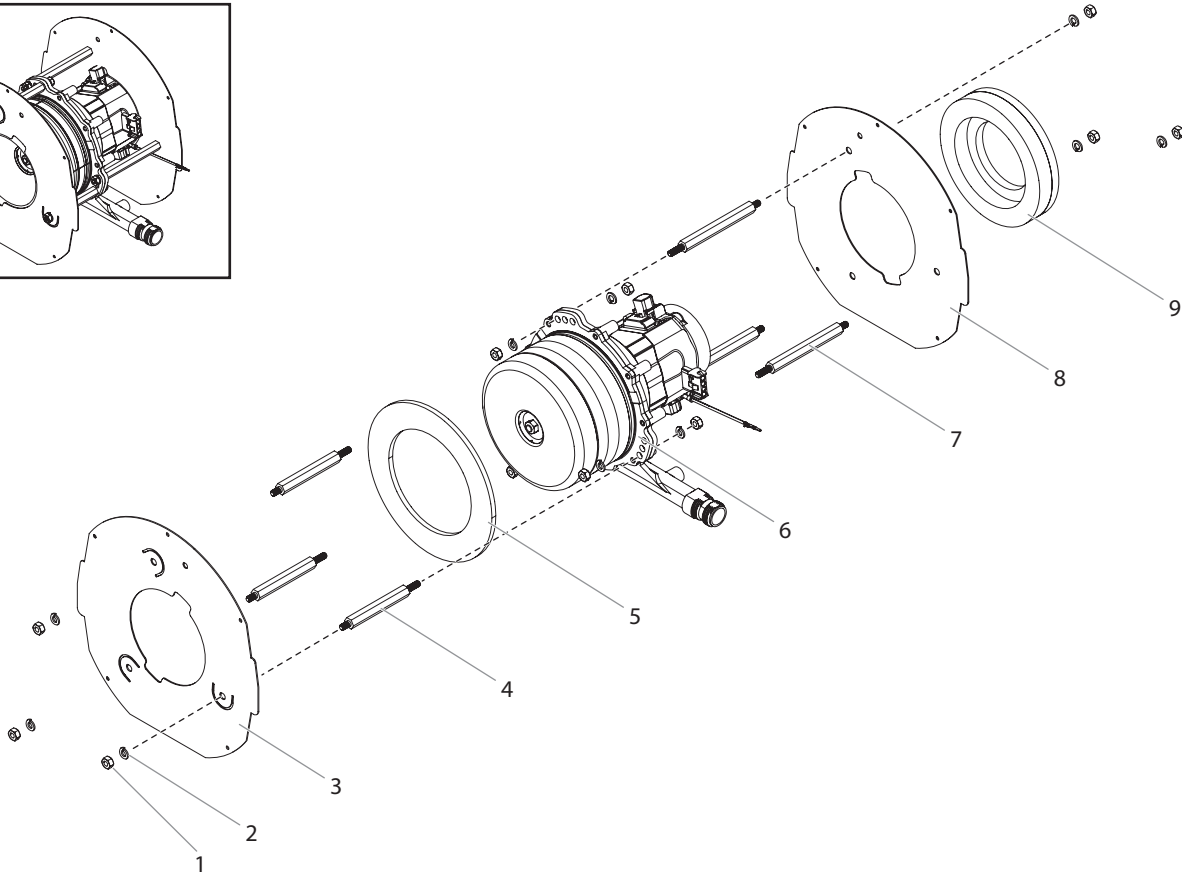
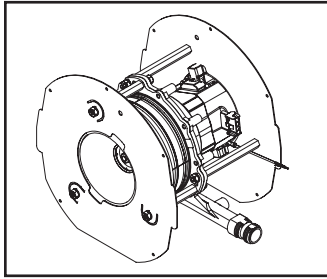
### Ensamblaje principal



#	Part No. N° de pièce Pieza No.	English Description	Français Description	Español Descripción	Qty. Qte. Cant.
1	-----	Upper housing assembly (see separate listing)	Ensemble de boîtier supérieur (voir liste séparée)	Ensamblaje de caja superior (consulte la lista separada)	1
2	-----	6-Stage turbine assembly, 120V (see separate listing)	Turbine en six pièces, 120 V (voir liste séparée)	Conjunto de la turbina, 6-fases (consulte la lista separada)	1
3	0524927	Sidewall silencer	Silencieux	Silenciador	2
4	0524593A	Silencer assembly	Ensemble de silencieux	Conjunto de silenciador	1
5	0524524	Sealing foam	Mousse d'étanchéité	Espuma de sellado	1
6	0524948A	Filter can	Carters de filtre	Recipiente del filtro	2
7	0293395	Screw	Vis	Tornillo	10
8	0524523A	Filter	Filtre	Filtro	1
9	0524526A	Pre-filter	Préfiltre	Pre-filter	2
10	0524949A	Filter cover	Carter du filtre	Cubierta de filtro	2
11	-----	Lower housing assembly (see separate listing)	Ensemble de boîtier inférieur (voir liste séparée)	Ensamblaje de caja fondo (consulte la lista separada)	1
12	858-634	Screw	Vis	Tornillo	4
13	0524596	Exhaust ring	Anneau d'échappement	Anillo de escape	1

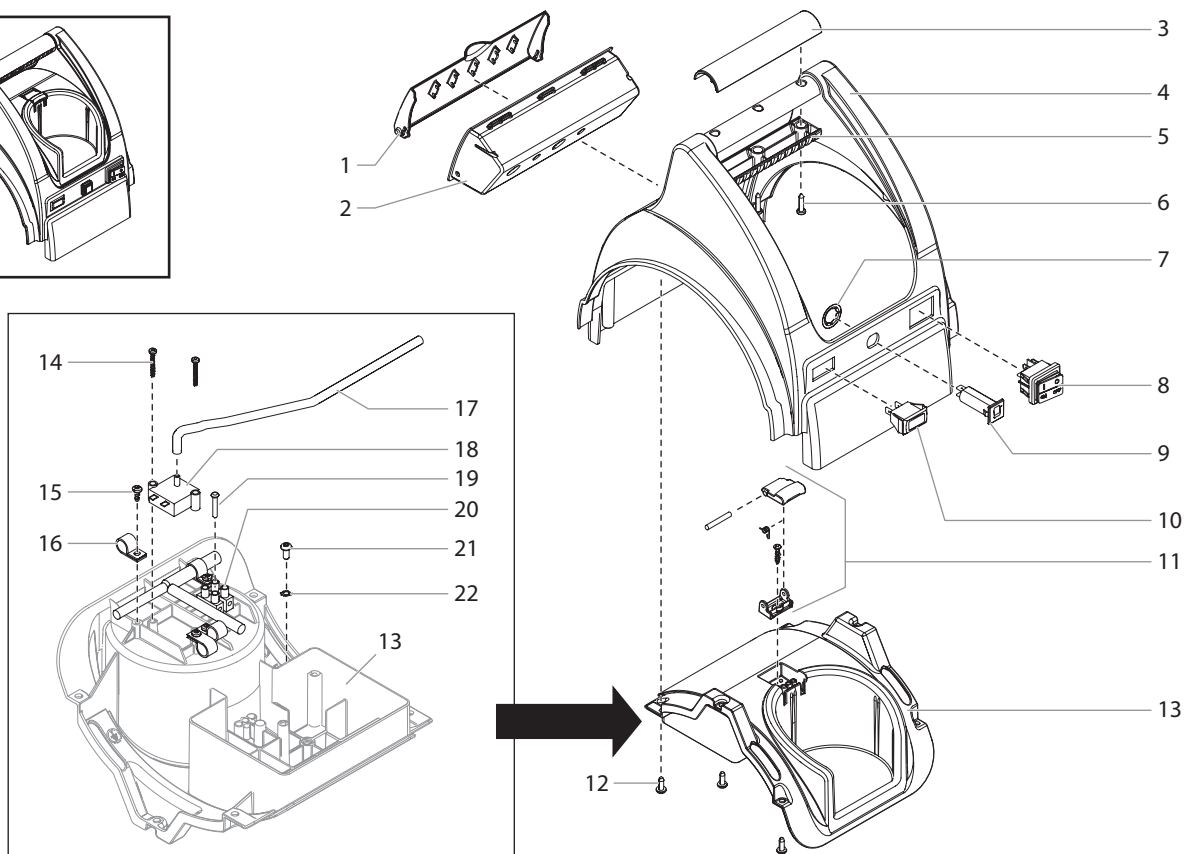
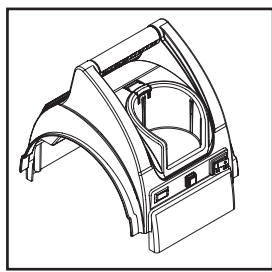
#	Part No. N° de pièce Pieza No.	English Description	Français Description	Español Descripción	Qty. Qte. Cant.
14	0524926	Silencer assembly	Ensemble de silencieux	Conjunto de silenciador	1
15	0524528A	Filter	Filtre	Filtro	1
16	0524594	Foam tape	Bande de mousse	Cinta de espuma	4
	0277337	Air hose (not pictured)	Tuyau pour l'air (pas d'illustration)	Manguera de aire (no se muestra)	1
	0153165	Viscosity cup (not pictured)	Godet de viscosimètre (pas d'illustration)	Cubeta de viscosidad (no se muestra)	1
	0275625	Quick-disconnect, female (not pictured)	Raccord rapide (pas d'illustration)	Accesorio de desconexión rápida (no se muestra)	1
	0524405A	Air hose, whip (not pictured)	Tuyau pour l'air de fouet (pas d'illustration)	Manguera de aire corta (con conexión flexible) (no se muestra)	1
	0524027	Spray gun, Maxum Elite (not pictured)	Pistolet, Maxum Elite (pas d'illustration)	Pistola, Maxum Elite (no se muestra)	
	0524041	Spray gun, Maxum II (not pictured)	Pistolet, Maxum II (pas d'illustration)	Pistola, Maxum II (no se muestra)	
	0275794	Filter kit (includes items 8, 9 and 15)	Trousse de filtre (inclut les éléments 8, 9 et 15)	Juego del filtro (incluye los elementos 8, 9, y 15)	

## Turbine Assembly • Ensemble de turbine • Ensamblaje de turbina



Item Art. Art.	Part No. N° de pièce Pieza No.	English Description	Français Description	Español Descripción	Qty. Qte. Cant.
1	9810108	Nut	Écrou	Tuerca	12
2	9821503	Lock washer	Rondelle de fixation	Arandela de asegurar	12
3	0524998	Can cover	Couvercle de carter	Cubierta del recipiente	1
4	0524590	Spacer	Espaceur	Separador	3
5	0277469	Turbine can seal	Joint d'étanchéité de carter de turbine	Junta de lata de la turbina	1
6	0524290A	6-Stage turbine assembly, 120V	Turbine en six pièces, 120 V	Conjunto de la turbina, 6-fases, 120 V	1
7	0524591	Spacer	Espaceur	Separador	3
8	0524971A	Can cover	Couvercle de carter	Cubierta del recipiente	1
9	0524687	Motor shroud seal	Joint d'étanchéité de carénage de moteur	Junta de la carcasa del motor	1
	0277243	Motor brush kit	Jeu de balais charbon	Juego de escobillas de carbón	

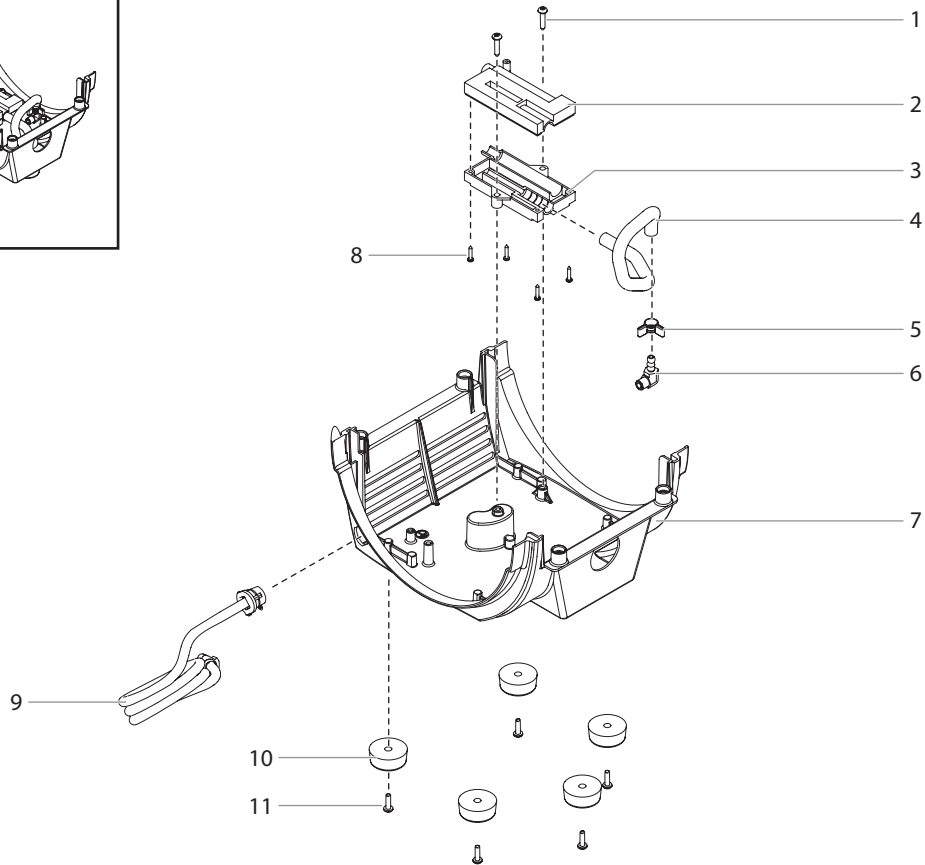
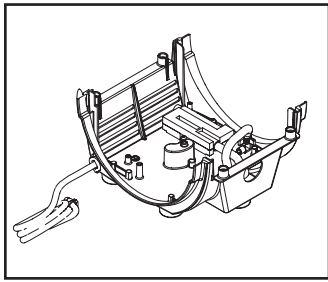
## Upper housing assembly • Ensemble de boîtier supérieur • Ensamblaje de caja superior



Item Art. Art.	Part No. N° de pièce Pieza No.	English Description	Français Description	Español Descripción	Qty. Qte. Cant.
1	0524537	Tool box door	Porte de trousse d'outils	Puerta de la caja de herramientas	1
2	0524538	Tool box	Trousse d'outils	Caja de herramientas	1
3	0524557	Top handle	Poignée supérieure	Manilla superior	1
4	0524531A	Upper housing	Boîtier supérieur	Caja superior	1
5	0524558	Lower handle	Poignée inférieure	Manilla inferior	1
6	9802266	Screw	Vis	Tornillo	3
7	0524963	Lock washer	Rondelle de fixation	Arandela de asegurar	1
8	0524694	Switch	Interrupteur	Interruptor	1
9	0524549	Circuit breaker switch kit, 15A	L'équipement de commutateur de briseur de circuit, 15A	El conjunto de interruptor de rompedor de circuito, 15A	1
10	0524547	Warning light assembly, 120V	Voyant lumineux, 120V	Conjunto de la luz de advertencia, 120V	1
11	0524996	Electrical cover assembly	Couvercle d'assemblage électrique	Conjunto de la cubierta eléctrica	1
12	9803104	Screw	Vis	Tornillo	6
13	0524536	Cup holder	Porte-godet	Sostén del depósito	1
14	9805386	Screw	Vis	Tornillo	2
15	9802265	Screw	Vis	Tornillo	4
16	0524566	Cable clamp	Bride de câble	Abrazadera de cable	4
17	0277475	Tube	Tube	Tubo	1
18	0277472	Air flow switch	Sélecteur d'aération	Interruptor del flujo de aire	1
19	9802905	Screw	Vis	Tornillo	1
20	0524626	Wire assembly	Ensemble de câbles	Conjunto de cables	1
21	9805287	Ground screw	Vis de borne à la terre	Tornillo de conexión a tierra	1
22	9822106	Lock washer	Rondelle de fixation	Arandela de asegurar	1



## Lower housing assembly • Ensemble de boîtier inférieur • Ensamblaje de caja fondo

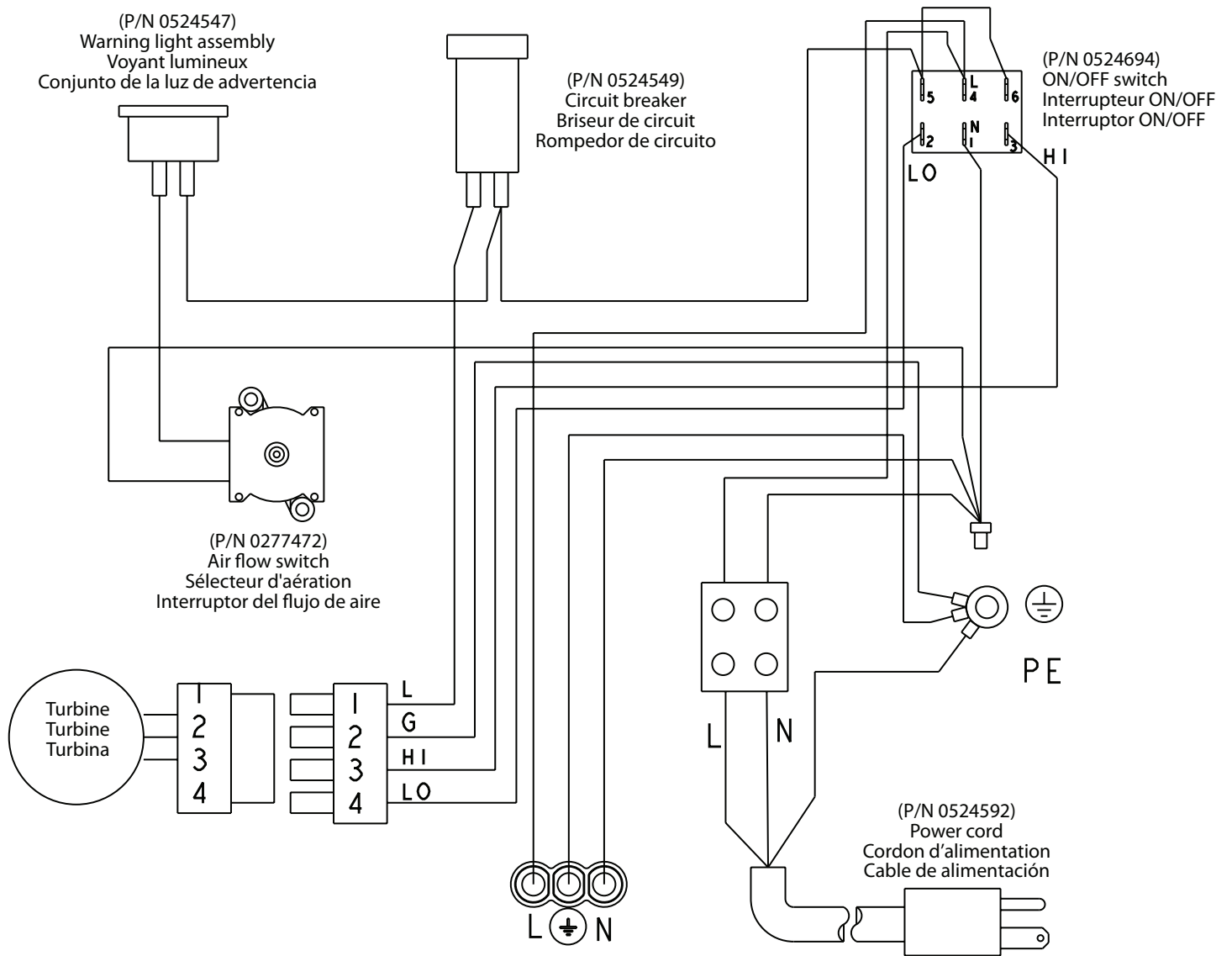


Item Art. Art.	Part No. N° de pièce Pieza No.	English Description	Français Description	Español Descripción	Qty. Qte. Cant.
1	9805387	Screw	Vis	Tornillo	2
2	0277443	Bleeder box cover	Couvercle de boîte de purge	Cubierta de la caja del purgador	1
3	0277442	Bleeder box base	Base de boîte de purge	Base de la caja del purgador	1
4	9881911	Exhaust hose	Tuyau d'échappement	Manguera de escape	1
5	0327226	Hose clamp	Agrafe de compression	Abrazadera del apretón	1
6	0276511	Exhaust hose fitting	Raccord de tuyau d'échappement	Adaptador de la manguera de escape	1
7	0524532A	Lower housing	Boîtier inférieur	Caja fondo	1
8	9802213	Screw	Vis	Tornillo	4
9	0524592	Cord / strain relief	Cordon / détendeur	Cordón / desbloqueador	1
10	0090628	Foot pad	Coupelles	Amortiguador de la base	5
11	9802222	Screw	Vis	Tornillo	5

## Labels • Étiquettes • Etiquetas

Part No. N° de pièce Pieza No.	English Description	Français Description	Español Descripción
0524853	Front cover label	Étiquette du couvercle avant	Etiqueta de la cubierta delantera
0277630	Warning label	Etiqueta de la cubierta del motor	Etiqueta de advertencia

# Wiring Diagram • Diagramme électrique • Diagrama eléctrico



**NOTE:** All electrical work should be performed by an authorized service center.

**NOTA :** Tous les travaux d'électricité doivent être effectués par le personnel d'un centre de service autorisé.

**NOTA:** Todo trabajo eléctrico debe realizarlo un centro de servicio autorizado.

## Garantie Limitée — Équipement pulvérisateur à volume élevé et à basse pression

### Ce qui est couvert par la présente garantie :

Ce produit, fabriqué par Titan, est garanti contre tout vice de matières et toute malfaçon pendant un (1) an suivant la date d'achat, lorsqu'il est utilisé conformément aux recommandations et directives imprimées de Titan.

Pendant la période de la dite garantie, Titan réparera ou remplacera, à son choix, les pièces défectueuses sans frais si ces dernières sont envoyées, port payé, au centre d'entretien autorisé le plus près, ou directement chez elle, au 1770 Fernbrook Lane, Minneapolis, MN 55447 (É.-U.). Si Titan ne peut, après un nombre raisonnable de tentatives, réparer le produit de manière à ce qu'il soit conforme à la présente garantie limitée, elle devra, à son choix, remplacer le produit ou en rembourser le prix d'achat. Seuls les recours exclusifs qui précèdent sont offerts en cas de violation des garanties expresses et implicites.

### Ce qui n'est pas couvert par la présente garantie :

1. La présente garantie ne couvre pas les défauts ou dommages entraînés par :
  - a) l'utilisation ou l'installation de pièces ou d'accessoires de rechange ou de réparation n'étant pas fabriqués par Titan;
  - b) les réparations effectuées par qui que ce soit d'autre qu'un centre d'entretien autorisé par Titan.
2. La présente garantie ne couvre pas l'équipement et les accessoires fournis à Titan par un fabricant de matériel original (OEM) incluant, sans toutefois s'y limiter, les tuyaux flexibles et les embouts. Titan fournira à l'acheteur un exemplaire des garanties expresses offertes par le fabricant, de même que le nom et l'adresse de ce dernier.
3. La présente garantie ne couvre pas les défauts ou les dommages découlant de l'abrasion, de la corrosion, de l'usage abusif, de l'emploi incorrect, de négligence, d'accidents, de l'usure normale, d'une installation fautive ou d'une intervention non autorisée susceptible de nuire au fonctionnement normal de l'équipement.

### Limitation des recours :

Titan NE PEUT EN AUCUN CAS ÊTRE TENUE RESPONSABLE DE TOUT DOMMAGE OU DE TOUTE PERTE DE NATURE INDIRECTE, SPÉCIALE OU CONSÉCUTIVE, INCLUANT LES FRAIS DE TRANSPORT, QUE CES PERTES OU DOMMAGES SOIENT FONDÉS SUR UNE VIOLATION DES GARANTIES EXPRESSES ET IMPLICITES, UNE RUPTURE DE CONTRAT, DE LA NÉGLIGENCE, UN DÉLIT CIVIL OU TOUTE AUTRE THÉORIE JURIDIQUE.

### Stipulation d'exonération de garanties implicites :

LES GARANTIES PRÉCÉDENTES REMPLACENT TOUTE AUTRE GARANTIE, EXPRESSE OU IMPLICITE, INCLUANT, SANS TOUTEFOIS S'Y LIMITER, LES GARANTIES IMPLICITE DE VENDABILITÉ ET DE CONVENANCE À UNE DESTINATION PARTICULIÈRE.

### Aucune possibilité de transfert :

La présente garantie est offerte à L'acheteur original seulement et n'est pas transférable.

### Droits en vertu de lois locales :

Certains états ou provinces ne permettant pas la limitation de la durée de garanties implicites ou l'exclusion de dommages indirects ou consécutifs, les limitations et exclusions ci-dessus pourraient ne pas s'appliquer à l'acheteur. Si la présente garantie lui accorde des droits particuliers, l'acheteur pourrait en disposer d'autres en vertu de lois variant entre provinces et états.

## Garantía Limitada — Equipo de atomización de alto volumen y baja presión

### Lo que está cubierto por esta garantía:

Este producto, fabricado por Titan, está garantizado por un (1) año a partir de la fecha de compra, contra los defectos de material y mano de obra que haya cuando se utilice de acuerdo con las recomendaciones e instrucciones impresas de Titan.

Dentro del período de garantía con validez, Titan reparará o reemplazará, a opción nuestra y sin cargo, las piezas defectuosas si dichas piezas se devuelven, con el costo de transportación pagado de antemano, al Centro de Servicio Autorizado más cercano o a Titan Corporation, 1770 Fernbrook Lane, Minneapolis, MN 55447. Si Titan es incapaz de reparar este producto conforme se establece en esta Garantía Limitada después de un número razonable de intentos, Titan proporcionará, a opción nuestra, ya sea un repuesto de este producto o bien el reembolso total del precio de compra de este producto. Estos remedios son los únicos y exclusivos remedios de que se dispone cuando se violen las garantías expresas o implícitas.

### Lo que no está cubierto por esta garantía:

1. Esta garantía no cubre ningún defecto o daño que haya surgido a causa de:
  - a) usar o instalar piezas de reparación o reemplazo o accesorios que no haya fabricado Titan, o
  - b) una reparación realizada por alguien que no pertenezca al Centro de Servicio Autorizado de Titan.
2. La garantía no cubre el equipo ni los accesorios que se le hayan suministrado a Titan a través de un fabricante de equipo original, que incluyen sin quedar limitados a ser sólo estos: mangueras, boquillas o accesorios. Titan le proporcionará al comprador copias de las garantías expresas del fabricante del equipo que se le hayan proporcionado, junto con el nombre y dirección del fabricante apropiado.
3. Esta garantía no cubre los daños ni defectos que hayan sido causados por la abrasión, corrosión, abuso, uso erróneo, negligencia, accidentes, desgaste normal, una instalación defectuosa o una alteración por la que se impida el funcionamiento normal, o que tengan relación con éstos.

### Limitación de remedios:

Titan NO SE HARÁ RESPONSABLE EN NINGÚN CASO DE LA PÉRDIDA NI DE NINGÚN DAÑO, INCIDENTAL, ESPECIAL O DE CONSECUENCIA, INCLUYENDO LOS COSTOS DE TRANSPORTACIÓN, SI LOS DAÑOS SE ORIGINAN POR VIOLAR LAS GARANTÍAS EXPRESAS O IMPLÍCITAS, VIOLAR EL CONTRATO, NEGLIGENCIA, E STRICTO PERJUICIO O CUALQUIER OTRA TEORÍA LEGAL.

### Renuncia de garantías implícitas:

LAS GARANTÍAS ANTERIORMENTE MENCIONADAS SON EN LUGAR DE TODAS LAS DEMÁS GARANTÍAS, EXPRESAS O IMPLÍCITAS, QUE INCLUYEN SIN QUEDAR LIMITADAS A SER SÓLO LAS GARANTÍAS IMPLÍCITAS DE COMERCIABILIDAD E IDONEIDAD PARA UN PROPÓSITO PARTICULAR.

### Sin posibilidad de ser transferida:

Esta garantía se le extiende al comprador original solamente y no es transferible.

### Sus derechos bajo la ley estatal:

Algunos estados no permiten limitaciones en cuanto a la duración de una garantía implícita o la exclusión de daños incidentales o de consecuencia, de manera que la limitación y exclusión anteriores podrían no ser válidas para usted. Esta garantía le concede derechos legales específicos, pero podría tener derecho a otros, los que varían de estado a estado.



#### United States Sales & Service

Phone: 1-800-526-5362

Fax: 1-800-528-4826

1770 Fernbrook Lane  
Minneapolis, MN 55447  
www.titantool.com

International  
international@titantool.com  
Fax: 1-763-519-3509

1770 Fernbrook Lane  
Minneapolis, MN 55447

## Limited Warranty — High Volume/Low Pressure Spray Equipment

### What Is Covered By This Warranty:

This product, manufactured by Titan, is warranted against defects in material and workmanship for one (1) year following date of purchase if operated in accordance with Titan's printed recommendations and instructions.

Within the applicable warranty period, Titan will repair or replace, at our option, defective parts without charge if such parts are returned with transportation charges prepaid to the nearest Authorized Service Center or to Titan Tool Corporation, 1770 Fernbrook Lane, Minneapolis, MN 55447. If Titan is unable to repair this product as to conform to this Limited Warranty after a reasonable number of attempts, Titan will provide, at our option, either a replacement for this product or a full refund of the purchase price of this product. These remedies are the sole and exclusive remedies available for breach of express and implied warranties.

### What is Not Covered By This Warranty:

1. This Warranty does not cover any defects or damages caused by either:
  - a) the use or installation of repair or replacement parts or accessories not manufactured by Titan, or
  - b) repair performed by anyone other than a Titan Authorized Service Center.
2. The Warranty does not cover equipment and accessories supplied to Titan from an original equipment manufacturer, including but not limited to: hoses, tips, or accessories. Titan will provide the purchaser with copies of the original equipment manufacturer's express warranties provided to Titan along with the name and address of the appropriate manufacturer.
3. This Warranty does not cover damage or defects caused by or related to abrasion, corrosion, abuse, misuse, negligence, accident, normal wear, faulty installation, or tampering in a manner which impairs normal operation.

### Limitation of Remedies:

IN NO CASE SHALL TITAN BE LIABLE FOR ANY INCIDENTAL, SPECIAL OR CONSEQUENTIAL DAMAGES OR LOSS, INCLUDING TRANSPORTATION COSTS, WHETHER SUCH DAMAGES ARE BASED UPON A BREACH OF EXPRESS OR IMPLIED WARRANTIES, BREACH OF CONTRACT, NEGLIGENCE, STRICT TORT, OR ANY OTHER LEGAL THEORY.

### Disclaimer Of Implied Warranties:

THE FOREGOING WARRANTIES ARE IN LIEU OF ALL OTHER WARRANTIES, EXPRESS OR IMPLIED, INCLUDING BUT NOT LIMITED TO THE IMPLIED WARRANTIES OF MERCHANTABILITY AND FITNESS FOR A PARTICULAR PURPOSE.

### No Ability To Transfer:

This warranty is extended to the original purchaser only and is not transferable.

### Your Rights Under State Law:

Some states do not allow limitations on how long an implied warranty lasts or the exclusion of incidental or consequential damages, so the above limitation and exclusion may not apply to you. This warranty gives you specific legal rights, and you may also have other rights which vary from state to state.



#### United States Sales & Service

Phone: 1-800-526-5362

Fax: 1-800-528-4826

1770 Fernbrook Lane  
Minneapolis, MN 55447  
[www.titantool.com](http://www.titantool.com)

International  
[international@titantool.com](mailto:international@titantool.com)

Fax: 1-763-519-3509

1770 Fernbrook Lane  
Minneapolis, MN 55447